



WF308 INSTRUCTION MANUAL

Contents

Warnings & Precautions	2
Important Safety Instructions	3
In the Box & Features	4
Powering the Unit	5
Setting the Clock and Tuning the AM/FM Radio	6
Tuning the WB Radio and Using the Emergency Siren	7
Using the Lantern and Torch	8
Using the Dynamo Hand Crank	9
Controls and Definitions	10-11
Warranty & Service information	12

Warnings and Precautions

TO PREVENT FIRE OR SHOCK HAZARDS, DO NOT EXPOSE THIS UNIT TO RAIN OR MOISTURE.



This symbol, located on back or bottom of the unit, is intended to alert the user to the presence of uninsulated “dangerous voltage” within the product’s enclosure that may be of sufficient magnitude to constitute a risk of electric shock to persons.



This symbol, located on back or bottom of the unit, is intended to alert the user to the presence of important operating and maintenance (servicing) instructions in the literature accompanying the appliance.

CAUTION: TO PREVENT ELECTRIC SHOCK, MATCH WIDE BLADE OF PLUG TO WIDE SLOT, FULLY INSERT.

To reduce the risk of electric shock, do not remove cover (or back). There are no user-serviceable parts inside. Please refer any servicing to qualified service personnel.

WARNING: Changes or modifications to this unit not expressly approved by the party responsible for compliance could void the user’s authority to operate the equipment.

WARNING: There is a danger of explosion if you attempt to charge standard Alkaline batteries in the unit. Only use rechargeable NiMH batteries.

Do not mix old and new batteries.

Do not mix alkaline, standard (carbon-zinc), or rechargeable (ni-cad, ni-mh, etc) batteries.

NOTE: This equipment has been tested and found to comply with the limits for a Class B digital device, pursuant to Part 15 of the FCC Rules. These limits are designed to provide reasonable protection against harmful interference in a residential installation. This equipment generates, uses, and can radiate radio frequency energy and, if not installed and used in accordance with the instructions, may cause harmful interference to radio communications. However, there is no guarantee that interference will not occur in a particular installation. If this equipment does cause harmful interference to radio or television reception, which can be determined by turning the equipment off and on, the user is encouraged to try to correct the interference by one or more of the following measures:

- Reorient or relocate the receiving antenna.
- Increase the separation between the equipment and receiver.
- Connect the equipment into an outlet on a circuit different from that to which the receiver is connected.
- Consult the dealer or an experienced radio/TV technician for help.

Important Safety Instructions

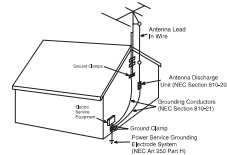
- Read Instructions** - All the safety and operating instruction should be read before the product is operated.
- Retain Instructions** - The safety and operating instruction should be retained for future reference.
- Heed Warnings** - All warning on the product and in the operating instructions should be adhered to.
- Follow instructions** - All operating and use instructions should be followed.
- Cleaning** - Unplug this product from the wall outlet before cleaning. Do not use liquid cleaners or aerosol cleaners. Clean only with a dry cloth.
- Attachments** - Do not use attachments not recommended by the product manufacturer as they may cause hazards.
- Water and Moisture** - Do not use this product near water - for example, near a bath tub, wash bowl, kitchen sink, or laundry tub; in a wet basement, or near a swimming pool, and the like. The apparatus shall not be exposed to dripping or splashing and that no objects filled with liquids, such as vases, shall be placed on apparatus.
- Accessories** - Do not place this product on an unstable cart, stand tripod, bracket, or table. The product may fall, causing serious injury to a child or adult, and serious damage to the product. Use only with a cart, stand, tripod, bracket, or table recommended by the manufacturer, or sold with the product. Any mounting of the product should follow the manufacturer's instructions, and should use a mounting accessory recommended by the manufacturer.
- A product and cart combination should be moved with care. Quick stops, excessive force, and uneven surfaces may cause the appliance and cart combination to overturn.

See figure:



- Ventilation** - Slots and openings in the cabinet are provided for ventilation and to ensure reliable operation of the product and to protect it from overheating, and these openings must not be blocked or covered. The openings should never be blocked by placing the product on a bed, sofa, rug, or other similar surface. This product should not be placed in a built-in installation such as a bookcase or rack unless proper ventilation is provided or the manufacturer's instruction have been adhered to.
- Power Sources** - This product should be operated only from the type of power source indicated on the marking label. If you are not sure of the type of power supply to your home, consult your product dealer or local power company. For products intended to operate from battery power, or other sources, refer to the operating instruction.
- Grounding or Polarization** - This product may be equipped with a polarized alternating-current line plug (a plug having one blade wider than the other). This plug will fit into the power outlet only one way. This is a safety feature. If you are unable to insert the plug fully into the outlet, try reversing the plug. If the plug should still fail to fit, contact your electrician to replace your obsolete outlet. Do not defeat the safety purpose of the polarizes plug.
Alternate Warnings - This product is equipped with a three-wire grounding-type plug, a plug having a third (grounding) pin. This plug will only fit into a grounding-type power outlet. This is a safety feature. If you are unable to insert the plug into the outlet, contact your electrician to replace your obsolete outlet. Do not defeat the safety purpose of the grounding-type plug.
- Power-Cord Protection** - Power supply cords should be routed so that they are not likely to be walked on or pinched by items placed upon or against them, paying particular attention to cords at plugs, convenience receptacles, and point where they exit from the product.
- Protective Attachment Plug** - The product is equipped with an attachment plug having overload protection. This is a safety feature. See Instruction Manual for replacement or resetting of protective device. If replacement of the plug is required, be sure the service technician has used a replacement plug specified by the manufacturer that has the same overload protection as the original plug.
- Outdoor Antenna Grounding** - If an outside antenna is connected to the

receiver, be sure the antenna system is grounded so as to provide some protection against voltage surges and built-up static charges. Article 810 of the National Electrical Code, ANSI/NFPA 70, provides information with regard to proper grounding of the mast and supporting structure, grounding of the mast and supporting structure, grounding of the lead-in wire to an antenna-discharge unit, size of grounding conductors, location of antenna-discharge unit, connection to grounding electrodes, and requirements for the grounding electrode.

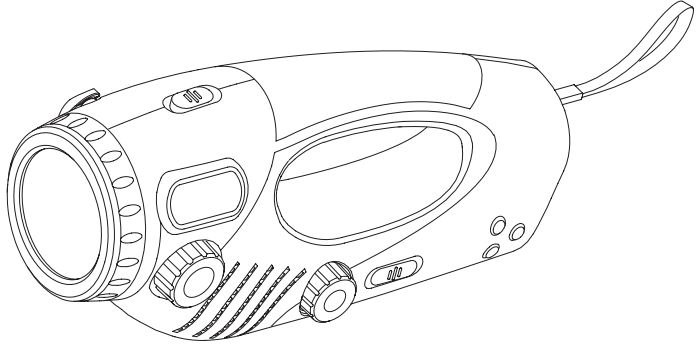


See figure:

- Lightning** - For added protection for this product during a lightning storm, or when it is left unattended and unused for long periods of time, unplug it from the wall outlet and disconnect the antenna or cable system. This will prevent damage to the product due to lightning and power-line surges.
- Power Lines** - An outside antenna system should not be located in the vicinity of overhead power lines or other electric light or power circuits, or where it can fall into such power lines or circuits. When installing an outside antenna system, extreme care should be taken to keep from touching such power lines or circuits as contact with them might be fatal.
- Overloading** - Do not overload wall outlets, extension cords, or integral convenience receptacles as this can result in a risk of fire or electric shock.
- Object and Liquid Entry** - Never push objects of any kind into this product through openings as they may touch dangerous voltage points or short-out parts that could result in a fire or electric shock. Never spill liquid of any kind on the product.
- Servicing** - Do not attempt to service this product yourself as opening or removing covers may expose you to dangerous voltage or other hazards. Refer all servicing to qualified service personnel.
- Damage Requiring Service** - Unplug this product from the wall outlet and refer servicing to qualified service personnel under the following conditions:
 - When the power-supply cord or plug is damaged,
 - If liquid has been spilled, or objects have fallen into the product,
 - If the product has been exposed to rain or water,
 - If the product does not operate normally by following the operating instructions. Adjust only those controls that are covered by the operating instructions as an improper adjustment of other controls may result in damage and will often require extensive work by a qualified technician to restore the product to its normal operation.
 - If the product has been dropped or damaged in any way, and
 - When the product exhibits a distinct change in performance - this indicates a need for service.
- Replacement Parts** - When replacement parts are required, be sure the service technician has used replacement parts specified by the manufacturer or have the same characteristics as the original part. Unauthorized substitutions may result in fire, electric shock, or other hazards.
- Safety Check** - Upon completion of any service or repairs to this product, ask the service technician to perform safety checks to determine that the product is in proper operating condition.
- Wall or Ceiling Mounting** - The product should be mounted to a wall or ceiling only as recommended by the manufacturer.
- Heat** - The product should be situated away from heat sources such as radiators, heat registers, stoves, or other products (including amplifiers) that produce heat. Battery shall not be exposed to excessive heat such as sunshine, fire, or the like.
- Main plug is used as disconnect device and it should remain readily operable during intended use. In order to disconnect the apparatus from the mains completely, the mains plug should be disconnected from the mains socket outlet completely.
- Excessive sound pressure from earphones and headphones can cause hearing loss.

In the Box

- WF308
- Documentation



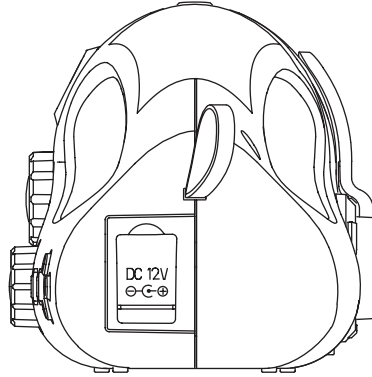
Features

- AM/FM Radio with Digital Readout
- Instant WeatherBand
- 7-LED Front Torch with Multi-Intensity Light Switch
- 5-LED Top Lantern
- Built-In Speaker
- DC Input Jack, (AC & DC Adaptors, not included)
- Heavy-Duty, Hand-Crank Dynamo Motor for power generation
- NiMH Rechargeable Battery Pack built-in
- DC: Uses 4 x “C” Batteries , (not included)

Powering the Unit

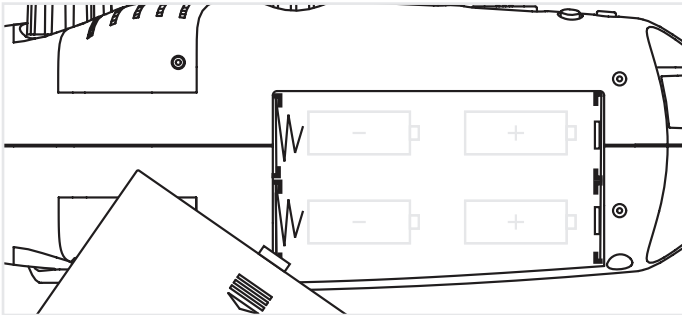
The internal NiMH battery in the unit can be charged by plugging the unit into a standard AC (120V - 60Hz) outlet using the DC Power Jack.

This requires an AC or DC Adapter (not included)



Batteries

The unit can be powered by 4 C-Sized batteries, or the internal NiMH battery.



DC 1.5V
C-Size x 4
(Not Included)

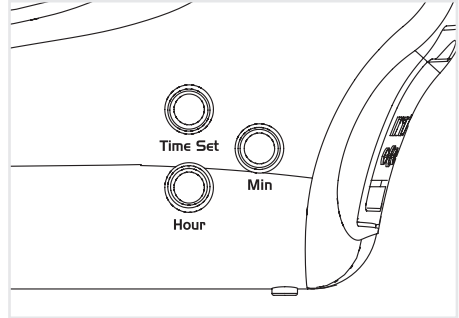
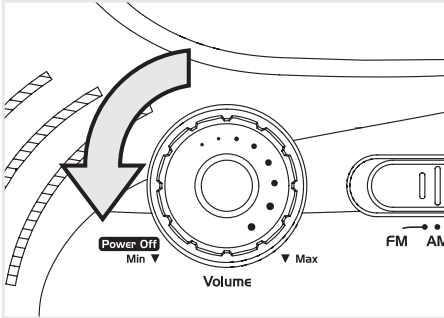
NiMH 3.6V
120mAH

Do not mix old and new batteries.

Do not mix alkaline, standard (carbon-zinc), or rechargeable (ni-cad, ni-mh, etc) batteries.

Setting the Clock

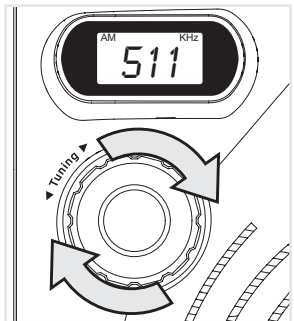
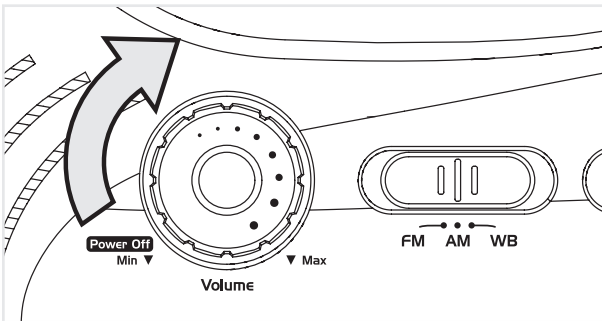
1. Power the unit off by turning the **Power/Volume Dial** counter clockwise.
2. Press and hold the **Time Set Button**.
3. While holding the **Time Set Button**, press the **Hour Button** to adjust the hour and the **Minute Button** to adjust the minute.
4. Once the time is set, release the **Time Set Button**.



Tuning the AM/FM Radio

1. Power the unit on by turning the **Power/Volume Dial** clockwise.
2. Adjust the **FM/AM/WB Switch** to FM or AM.
3. Turn the **Tuning Dial** to adjust the FM or AM radio frequency.

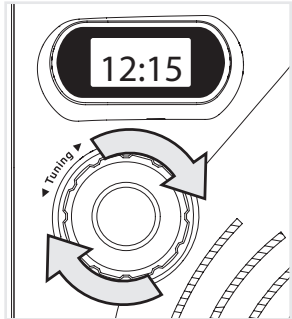
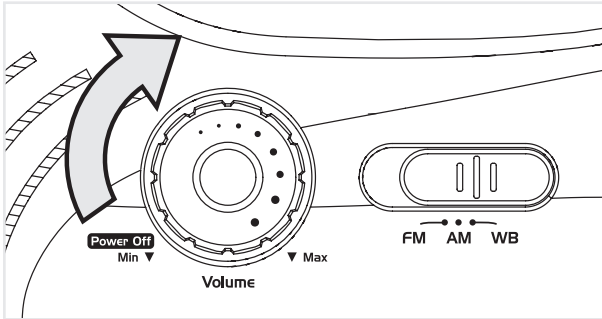
The current FM or AM radio frequency will be displayed on the LCD Display.



Tuning the WB (WeatherBand) Radio

1. Power the unit on by turning the **Power/Volume Button** clockwise.
2. Adjust the **FM/AM/WB Switch** to WB.
3. Turn the **Tuning Dial** to adjust the WB radio frequency.

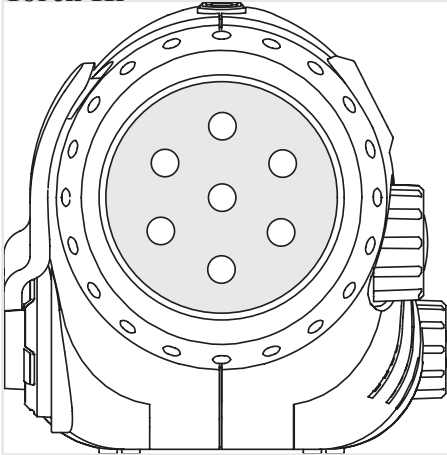
The WB radio frequency will not display on the LCD Display.



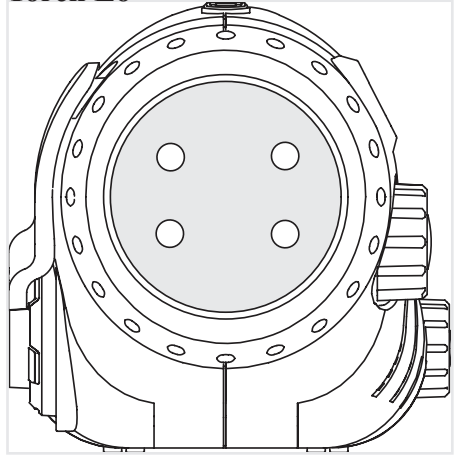
Using the Lantern and Torch

1. With the unit powered off or on, adjust the **Torch/Lantern Switch** to Hi, Lo, Off, or Lantern.

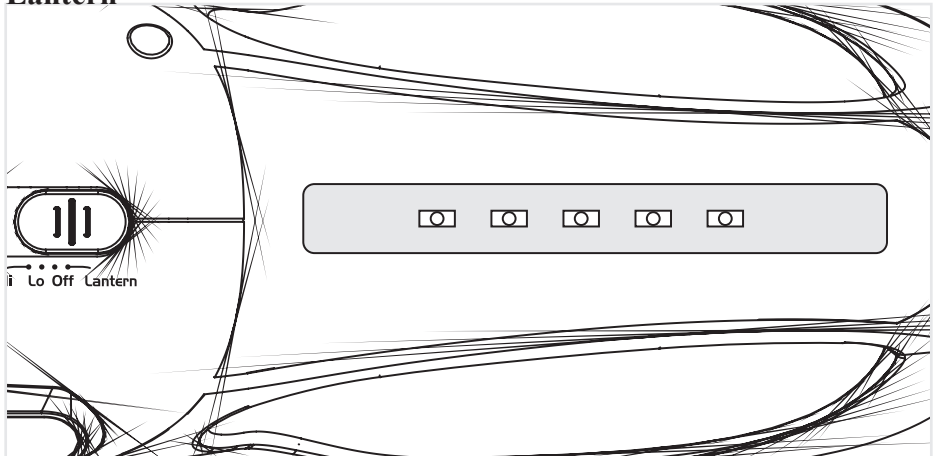
Torch Hi



Torch Lo

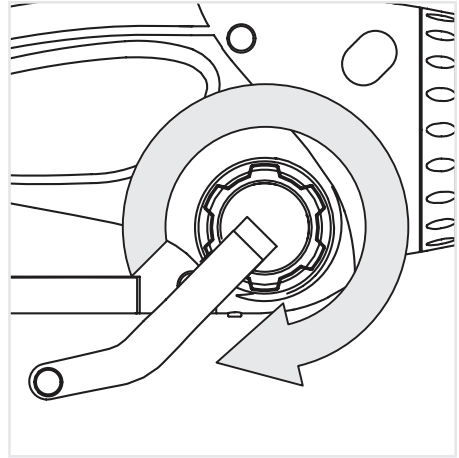
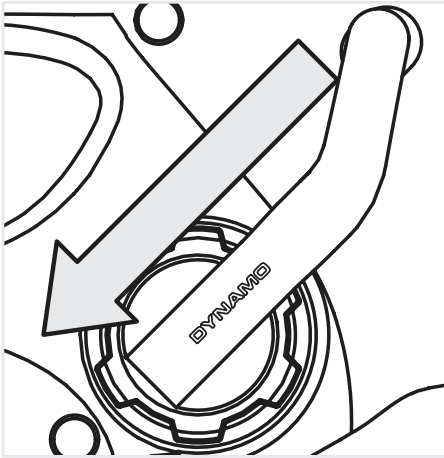


Lantern



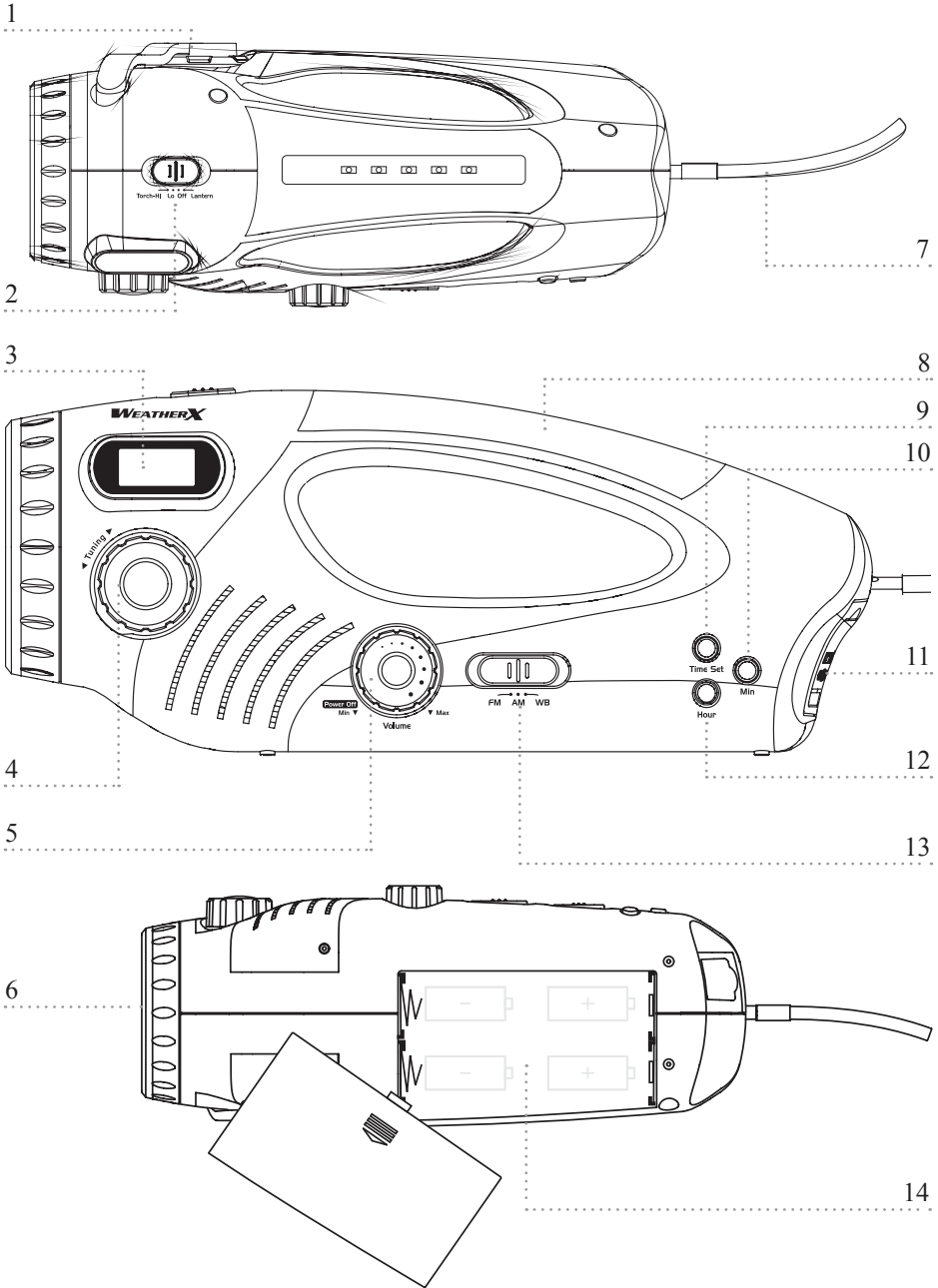
Using the Dynamo Hand Crank

1. Fold the **Dynamo Hand Crank** arm down.
2. Turn the **Dynamo Hand Crank** clockwise continuously to charge the internal NiMH battery.



3. If the internal batteries are completely dead, turning the **Dynamo Hand Crank** continuously will power the unit.

Location of Controls



Control Definitions

- 1 Dynamo Hand Crank**
Turn the Dynamo Hand Crank clockwise to power the unit and charge the internal battery.

- 2 Torch/Lantern Switch**
Adjust the Torch/Lantern Switch to turn the torch or lantern on, and to adjust the intensity of the torch.

- 3 LCD Display**
Use the LCD Display to view the time and AM/FM radio frequency.

- 4 Tuning Dial**
Turn the Tuning Dial to adjust the AM, FM, and WB radio frequency.

- 5 Power/Volume Dial**
Turn the Power/Volume Dial to turn the unit off and on, and adjust the volume.

- 6 Torch**
Multi-Intensity 7 LED flashlight.

- 7 Hand Strap**
Use the Hand Strap to secure the unit to your wrist.

- 8 Lantern**
5 LED lantern.

- 9 Time Set Button**
Press and hold the Time Set Button when setting the clock.

- 10 Min. Button**
When setting the clock, press the Min. Button to adjust the minute.

- 11 DC Power Jack**
Use the DC Power Jack to power or charge the unit. (Requires an AC/DC adapter, not included)

- 12 Hour Button**
When setting the clock, press the Hour Button to adjust the hour.

- 13 FM/AM/WB Radio Switch**
Adjust the FM/AM/WB Radio Switch to listen to the FM, AM, or WB (WeatherBand) radio.

- 14 Battery Compartment**
Requires 4 C-Size batteries, not included. *Read page 5 before operating the unit on battery power.*

90 Day Limited Warranty

2116 CARR STREET • ST. LOUIS, MO 63106 • TELEPHONE : 314-621-2881 • FAX : 314-588-1805

Manufacturer warrants this product to the original purchaser to be free from defects in material and workmanship, under normal conditions, for a period of 90 days from date of original purchase.

Manufacturer agrees, at its option during the warranty period, to repair any defect in material or workmanship or to furnish an equal product in exchange without charge. Such repair or replacement is subject to verification of the defect or malfunction and proof of purchase as confirmed by a copy of an original dated sales receipt.

To obtain service, return the unit insured and freight PREPAID to:

WEATHERX - CONSUMER SERVICE
2116 CARR STREET, ST. LOUIS, MO 63106

- Pack the unit in a well-padded, sturdy carton.
- Enclose a copy of your sales receipt to verify the date of purchase.
- Include your name, address and phone number.

Manufacturer will elect to repair or replace properly warranted product free of charge (including free return transportation).

NOTE: This warranty does not cover any product which has been subject to damage due to an act of God, misuse, neglect, accident, abuse, commercial use, or modification of, or to, any part of the product, including the antenna. Damage to external media such as DVD, CD, LP and/or tape are not covered nor is the cost incurred in shipping the unit for warranty repair. Under no circumstances shall Manufacturer be liable for any loss (direct, indirect, incidental, foreseen, unforeseen, special or consequential) or for any damage arising out of, or in connection with the use of this product.

This warranty does not cover damage due to improper operation or maintenance, connection to improper voltage supply, or attempted repair by anyone other than Manufacturer.

This warranty does not cover re-manufactured units or product sold AS IS.

This warranty is valid only in the United States and grants specific legal rights. You may also have other rights which vary from state to state.

IMPORTANT NOTICE: DO NOT RETURN THIS UNIT TO THE RETAIL STORE FOR SERVICE. INSTEAD, FOLLOW THE ABOVE WARRANTY SERVICE INSTRUCTIONS.



Fabricante garantiza este producto al comprador inicial contra todo defecto de material y de fabricación, que resulten de una utilización y mantenimiento normal, por un periodo de 90 días a partir de la fecha de compra inicial.

Fabricante se reserva el derecho de reparar, durante el periodo de vigencia de esta garantía, todo defecto de material o de fabricación o de reemplazar el producto defectuoso por el mismo producto sin costo adicional. Esta reparación o reemplazo está sujeto a la verificación del defecto o del mal funcionamiento del aparato y a la recepción de una prueba de compra en la forma de una copia del original del recibo de venta facturado.

Para obtener este servicio, envíe su unidad aseguradly con el transporte PAGADO POR ADELANTADO a:

WEATHERX - CONSUMER SERVICE
2116 CARR STREET, ST. LOUIS, MO 63106

- Embale la unidad en una caja de cartón resistente, con refuerzo protector.
- Adjunte una copia de su recibo de venta para verificar la fecha de compra del producto.
- Incluya su nombre, dirección y número de teléfono.

Fabricante se reserva el derecho de reparar o de reemplazar el producto garantizado sin costo adicional (y de proporcionar el transporte de regreso gratuito del producto).

NOTA: Esta garantía no cubre ningún producto dañado por causa de fuerza mayor, mala utilización, negligencia, accidente, abuso, uso comercial o modificación de o a cualquier parte del producto, incluyendo la antena. Esta garantía no cubre tampoco los daños causados a medios externos como DVD, discos compactos, discos de larga duración y/o casettes ni el costo de envío del producto para su reparación. Fabricante no es responsable, bajo ninguna circunstancia, de pérdidas (directas, indirectas, secundarias, previas, imprevistas, especiales) o de daños que resulten de o por el uso de este producto.

Esta garantía no cubre los daños que resulten de la utilización o del mantenimiento incorrecto, de la conexión a una fuente de voltaje inapropiada o de un intento de reparación realizado por personal no autorizado por fabricante ST. Louis, MO.

Esta garantía no cubre las unidades fabricadas nuevamente o los productos vendidos TALCUAL. Esta garantía es válida únicamente en Estados Unidos y confiere derechos legales específicos. Usted puede tener otros derechos que varían de Estado a Estado.

IMPORTANTE: NO ENVÍE ESTE PRODUCTO AL NEGOCIO EN QUE LO COMPRÓ PARA REPARACIÓN. CONSULTE ESTA GARANTÍA PARA OBTENER INFORMACIONES AL RESPECTO.



Fabricant garantit ce produit à l'acheteur initial contre tout défaut de matériel et de fabrication, par suite d'une utilisation et d'un entretien normaux, pour une période de 90 jours à compter de la date d'achat initial du produit.

L'obligation de fabricant pendant la durée de cette garantie, consiste en la réparation de tout défaut de matériaux et de fabrication ou le remplacement du produit par le même produit sans frais. Cette réparation ou ce remplacement sera effectué moyennant la vérification du défaut ou du mauvais fonctionnement de l'appareil et la présentation d'une preuve d'achat dans la forme d'une copie d'un reçu de vente original daté.

Pour obtenir ce service, envoyez le produit assuré, avec fret PAYÉ D'AVANCE à:

WEATHERX - CONSUMER SERVICE
2116 CARR STREET, ST. LOUIS, MO 63106

- Embalmez votre produit dans une boîte de carton renforcée.
- Joignez une copie de votre reçu de ventes pour vérification de la date d'achat du produit.
- Indiquez votre nom, adresse et numéro de téléphone.

Fabricant se réserve le droit de réparer ou de remplacer tout produit garanti, sans frais y compris le droit de prendre à sa charge le transport de retour du produit.

REMARQUE: Cette garantie ne couvre pas les produits endommagés par force majeure, mal utilisés, négligés, ayant subi un accident, abusés, utilisés à des fins commerciales ou à la modification de ou à quelque partie que ce soit de ces produits, y compris l'antenne. Cette garantie ne couvre pas non plus les dommages aux médias externes tels que des DVD, disques compactes, albums et/ou casettes, ni le coût d'envoi du produit pour sa réparation. En aucun cas, fabricant, ne sera pas tenu responsable des pertes (directes, indirectes, secondaires, prévues, imprévues, spéciales) ou des dommages qui découlent de ou en raison de l'utilisation de ce produit.

Sont exclus de cette garantie les défauts pouvant survenir par la suite de l'utilisation et de l'entretien anormaux, du raccordement à une source de tension inadéquate ou des réparations effectuées par du personnel non autorisé par fabricant, St. Louis, MO. Cette garantie ne couvre pas les produits fabriqués à nouveau ou les produits vendus TEL QUELS.

Cette garantie n'est valable qu'aux États-Unis et vous confère des droits légaux spécifiques. Vous pouvez avoir d'autres droits en vertu des lois étatiques.

IMPORTANT: NE RENVOYEZ PAS CE PRODUIT AU DÉTAILLANT POUR RÉPARATION. LISEZ CETTE GARANTIE POUR OBTENIR DES INFORMATIONS SUR LES SERVICES FOURNIS.

2116 CARR STREET • ST. LOUIS, MO 63106 • TELEPHONE : 314-621-2881 • FAX : 314-588-1805

Service Information

Address 2116 Carr Street, St. Louis MO, 63106
Phone 1-314-621-2881
Fax 1-314-588-1805
Email weatherxcustserv@weather-x.net
Website www.weather-x.net

To download this Instruction Manual in English, Spanish, or French visit the Support section at www.weather-x.net.

Para descargar este manual de instrucción en inglés, español, o francés visite la sección de la ayuda en www.weather-x.net.

Pour télécharger ce manuel d'instruction en anglais, espagnol, ou le Français visitez la section de soutien à www.weather-x.net.